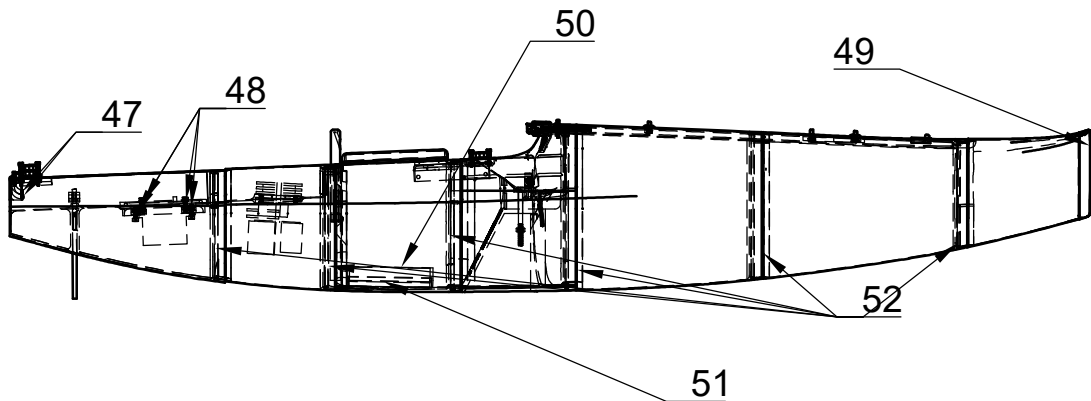


PARTS LIST

NUMBER	NAME	SUPPLIER	PART NUMBER
47	K WINCH LINE TUBE	printime.co.nz	PTFE tube 2mmOD
48	K RUDDER SERVO BOLTS + NUTS	ndyachts.com	csk ms3mmx100mm
49	K BOW RUBBER MOLD	ndyachts.com	49
50	K WATERPROOF BATTERY CASE	ndyachts.com	50
51	K VELCRO EXTREME	vtapes.co.nz	ETREME
52	K LIGHTWEIGHT FILLER POWDER	adhesivetechnologies.co.nz	410 MICROLIGHT



Dept.	Technical reference	Created by <b>Neil Deverell</b> 20/03/2022	Approved by <b>Neil Deverell</b>	
		Document type	Document status	
		Title <b>D6 KITSET</b>	DWG No. <b>4</b>	
		Rev.	Date of issue 17/7/22	Sheet 4/5