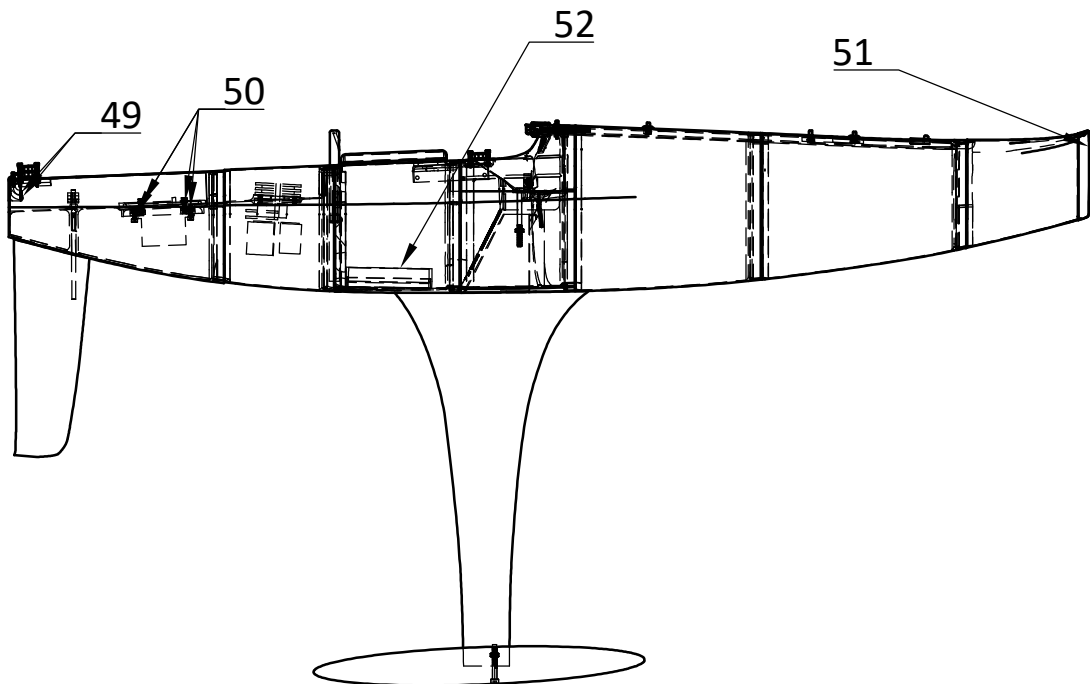


PARTS LIST

NUMBER	NAME	SUPPLIER	PART NUMBER
49	K WINCH LINE TUBE	printime.co.nz	PTFE tube 2mmOD
50	K receiver bolts	ndyachts.com	csk ms3mmx100mm
51	K BOW RUBBER MOLD	ndyachts.com	51
52	k WATERPROOF BATTERY CASE	ndyachts.com	52



Dept.	Technical reference	Created by Neil Deverell 20/03/2022	Approved by Neil Deverell	
		Document type	Document status	
		Title D6 KITSET	DWG No. 4	
		Rev.	Date of issue 20/3/22	Sheet 4/4